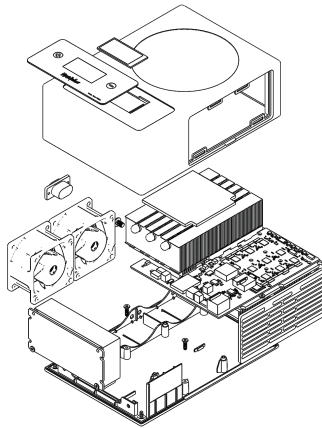




SMART THERMOSTATIC CUP MAT

Product Manual



April . 2026

- Model -

WM02 Pro

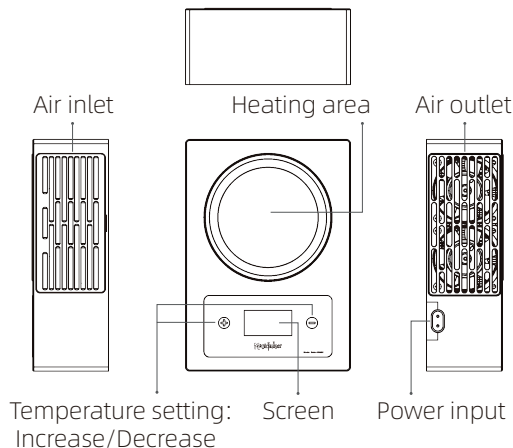
Enjoy a Warm Life · Earn Stable Returns

1. Product Overview

Thank you for choosing the Magicminer WM02 Pro Smart Thermostatic Cup Mat.

The WM02 Pro is a smart thermostatic device designed for long-term indoor use at home and office desktops. It adopts AC wide voltage power supply (110V-240V~50/60Hz) and is equipped with a 1.9-inch LED display screen. The screen clearly shows the real-time working status, providing a stable, safe and intuitive thermostatic experience for everyday beverages.

Key Components: Air inlet, Heating area, Air outlet, Temperature setting buttons (+/-), LED display screen, Power input port



2. Product Positioning Explanation

- This product is a household smart thermostatic cup mat with auxiliary cryptocurrency mining function.
- Its primary function is to maintain the temperature of beverages within a set range.
- It does not have boiling, steaming or rapid heating functions.
- It is suitable for long-term power-on scenarios such as home and office
- Its core design principles are safety, stability and ease of use.

3. Product Specifications

Project	Parameters	Project	Parameters
Brand	Magicminer	Power Input	AC 110V-240V ~ 50/60Hz
Model	WM02 Pro	Heating method	Far-infrared constant temperature heating
Release Date	April . 2026		
Crypto Algorithm	Scrypt	Suitable cups	Flat-bottomed ceramic cups/glass cups/stainless steel cups
Power	140W±10%		
Hashrate	550MH/s±10% (Note: The hash rate is a technical parameter only, not a guarantee of mining returns)	Usage Environmen	Indoor dry environment, temperature 5°C-35°C, humidity ≤ 60%
		Display method	1.9-inch LED display screen
		Working Mode	Works immediately upon power-on / Automatic thermostatic control
Warranty	12 months	Net Weight	Machine: 1.44kg; Dedicated cup: 0.17kg
Product Dimensions	208*148*68mm	Gross Weight	2.42kg
Package Dimensions	375*190*110mm		

4. Packaging Contents

- Magicminer WM02 Pro Smart Thermostatic Cup Mat x1
- Dedicated Thermostatic Cup x1
- AC Power Cord x1
- Instruction Manual x1

5. Product Features & Usage

5.1. Powering on the device:

1. Ensure the usage environment meets the requirements of dry and well-ventilated indoor space.
2. Connect the AC power cord to the power input port of the cup mat.
3. Plug the other end of the power cord into a grounded power socket. The LED screen will light up, indicating the device is powered on successfully.

5.2 Constant Temperature Heating Operation

1. Place a flat-bottomed beverage cup filled with liquid on the heating area of the cup mat.
2. Adjust the temperature gear using the "+" and "-" buttons. The device supports 5 temperature gears in total.
3. The LED screen will display the current set temperature. The device will automatically maintain the temperature after reaching the set value.

5.3 Mining Function Operation

Important Note: The mining function must comply with the relevant laws and regulations of the user's region. should confirm local policy compliance before use.

- 1.Ensure the device is connected to a stable Wi-Fi 2.4G network.
- 2.Enter the mining pool address, port number and personal wallet address through the corresponding setting interface.
- 3.Confirm the input information is correct, then start the mining process. The LED screen will display the real-time mining status.

6. Safety Precautions

- 1.Avoid water contact or use in humid environments such as bathrooms and kitchens with water splashes.
- 2.Do not cover the coaster surface during use to prevent overheating caused by poor heat dissipation.
- 3.Do not disassemble or modify the coaster by yourself. Any unauthorized disassembly will void the warranty.
- 4.Children must be supervised by an adult when using this coaster. Prevent children from touching the heating area to avoid scalding.
- 5.If the device shows abnormal high temperature, abnormal noise or odor during operation, disconnect the power supply immediately and contact the after-sales service.
- 6.Only use flat-bottomed, intact and heat-resistant cups. Do not use cups with curved bottoms, cracks or non-heat-resistant materials.
- 7.Disconnect the power plug when the device is not in use for a long time. Do not pull the power cord to avoid wire damage and electric leakage.
- 8.Do not use the device near flammable and explosive items to prevent fire hazards.

7. Compliance Certification Statement

This product complies with the requirements of the European Union's Low Voltage Directive (LVD 2014/35/EU) and Electromagnetic Compatibility Directive (EMC 2014/30/EU).

8. Packaging Recycling Instructions

In accordance with the UK Packaging Waste Regulations, the packaging materials of this product are recyclable. Please sort and put them into the corresponding recycling channels after use to reduce environmental pollution.

9. Disclaimer

This product is a household appliance. The mining function is only an auxiliary function, which does not constitute any form of investment advice or return guarantee.


Mining income is affected by many factors such as cryptocurrency market fluctuations, network computing power difficulty and equipment operation status. The manufacturer shall not be liable for any income loss caused by mining.

Users must comply with the relevant laws and regulations of their region when using the mining function. Any legal liability and tax obligations arising from mining shall be borne by the user.

The user shall be solely responsible for any personal injury, property loss or other consequences caused by improper use that does not comply with this manual.

10. After-sales Service

If you encounter any problems during use, please contact our after-sales service team:

 **Service Email:** business@magicminer.cc

 **Service Hotline:** 852-56140308

 **Warranty Scope:** Free repair for non-human damage within 12 months from the date of purchase.